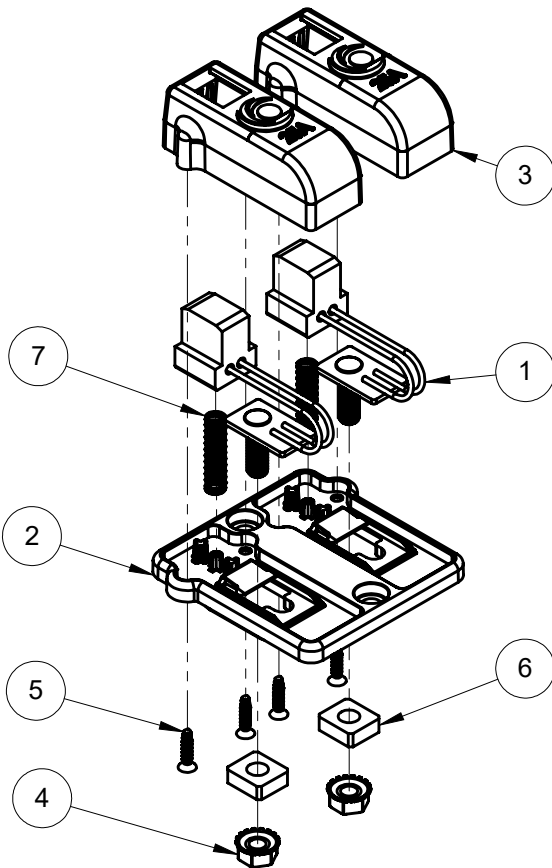
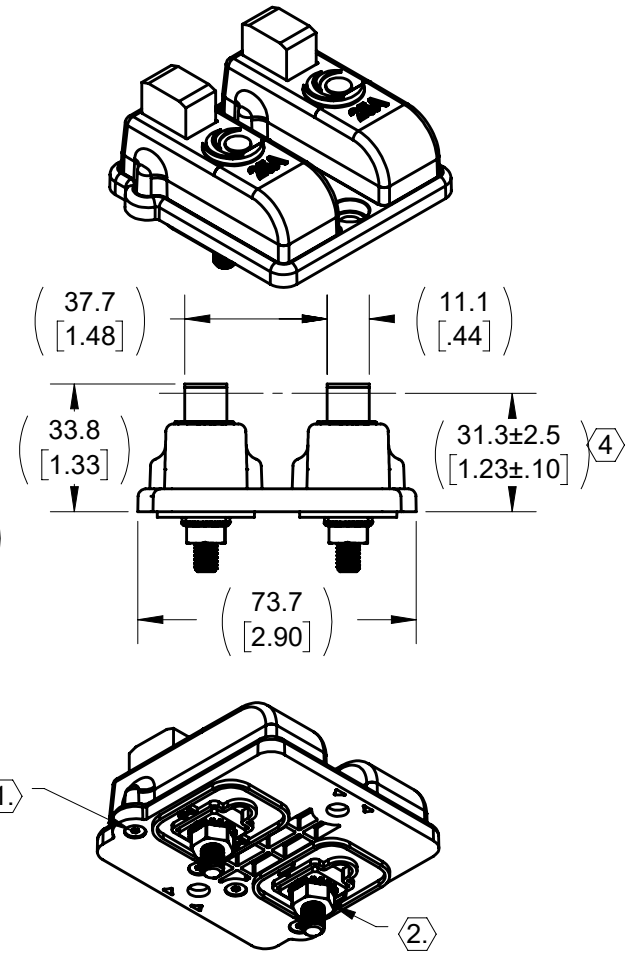
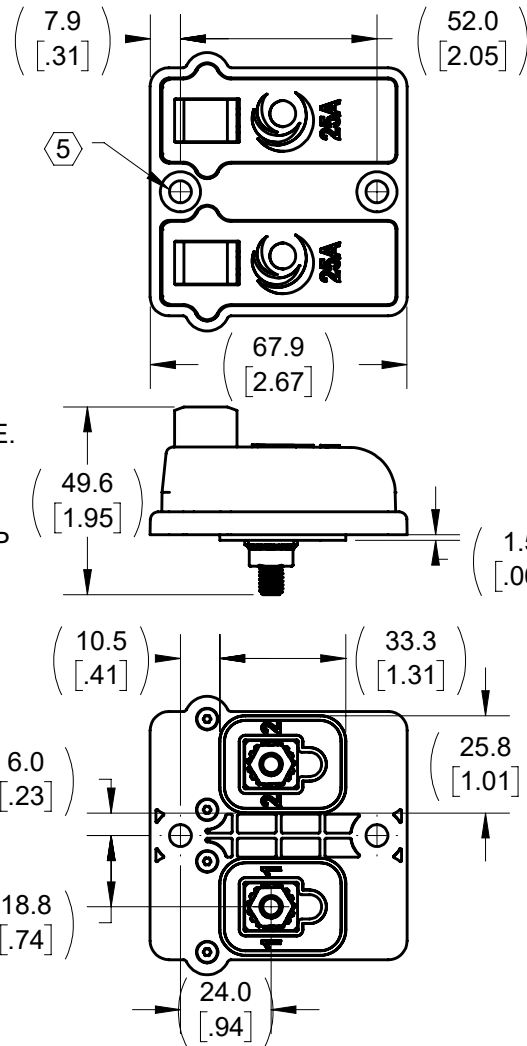


NOTES:

1. TORQUE BRUSH COVER SCREWS TO 1.2 N-m (11 IN-LBS.).
2. TORQUE POWER TERMINAL M6 NUTS TO 5.7 N-m (50 IN-LBS.) (AT INSTALLATION).
3. SPECIFICATIONS
RATING: UL 583, 25A CONTINUOUS, 60VDC (25VAC) MAX
POSITIONING TOLERANCE +/-: X=5MM;
Y=28MM; Z=2.5MM
4. TARGET MOUNTING DISTANCE AT MID-STROKE. BRUSHES SHOWN WITH 0.5MM PRELOAD.
5. MOUNTING HARDWARE: M5 SOCKET HEAD CAP SCREW.



ITEM	MATERIAL NO. 2	DESCRIPTION	QTY.	UNIT
7	XA-600545	SPRING COMPRESSION .24 OD X .17 ID X 1.0	2	PC
6	XA-594129	SPACER TERMINAL MCC LUG	2	PC
5	XA-591656	SCREW 4-20 x .50 LG THD ROLL PLSTC SST	4	PC
4	XA-104380	NUT M6-1.00 HEX KEPS SST	2	PC
3	XA-598844	HOUSING COLLECTOR 25A NANO+	2	PC
2	XA-599387	COVER MOUNT DOUBLE 25A NANO+	1	PC
1	XA-599997	BRUSH ASSEMBLY 25A NANO+	2	PC

STATUS: RELEASED		DESCRIPTION: COLLECTOR ASSEMBLY 25A NANO+	
ER NO: ECO-45654	UNLESS OTHERWISE SPECIFIED INTERPRET GEOMETRIC TOLERANCING PER: ASME Y14.5	PROPRIETARY AND CONFIDENTIAL This drawing and the information shown constitute trade secret and confidential property of Conductix-Tipco, Inc. It is subject to recall, and is loaned for use only in connection with the authorized manufacture or installation of Conductix-Tipco, Inc. products, and on the condition that it will be treated as confidential and will not be disclosed, published or reproduced in whole or in part, or permitted to be viewed or used by any other party, without specific written permission. Receipt and use of the drawing and information constitutes acceptance and agreement to the above.	
ER DATE: 07/26/2022	PRIMARY UNITS ARE IN MM KG SECONDS SECONDARY UNITS IN INCH LB SECONDS TOLERANCES ARE AS FOLLOWS		
ER ENGR: J SMITH	DECIMAL: X . ± 0.25 MM [0.010 IN] XX ± 0.125 MM [0.005 IN] ANG. ± 1°		
ER APPR: D SAMPSON	THREAD CLASS: 6G EXTERNAL / 6H INTERNAL ALL DIMENSIONS GREATER THAN 600MM HAVE A TOLERANCE OF ± 2MM UNLESS OTHERWISE SPECIFIED		
DRAWN: J SMITH	DATE: 07/26/2022	MATERIAL NO. 2: XA-CCC025A2W0	
APPR: D SAMPSON	DATE: 07/26/2022	SIZE A SCALE: 1:2	WEIGHT(REF): 0.15 KG MAT'L: 0
		10102 F Street Omaha, NE 68127 800-521-4888	
		REV 0	
		SHEET 1 OF 1	